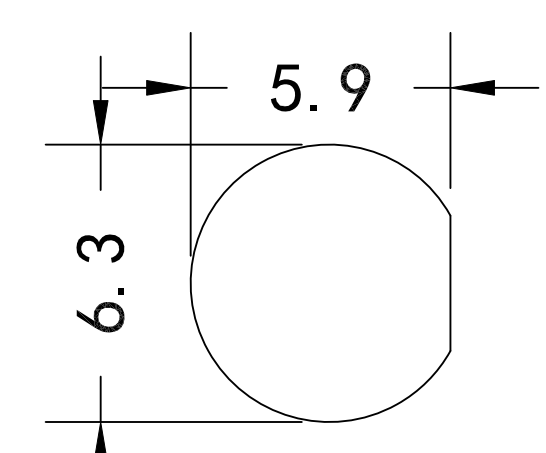
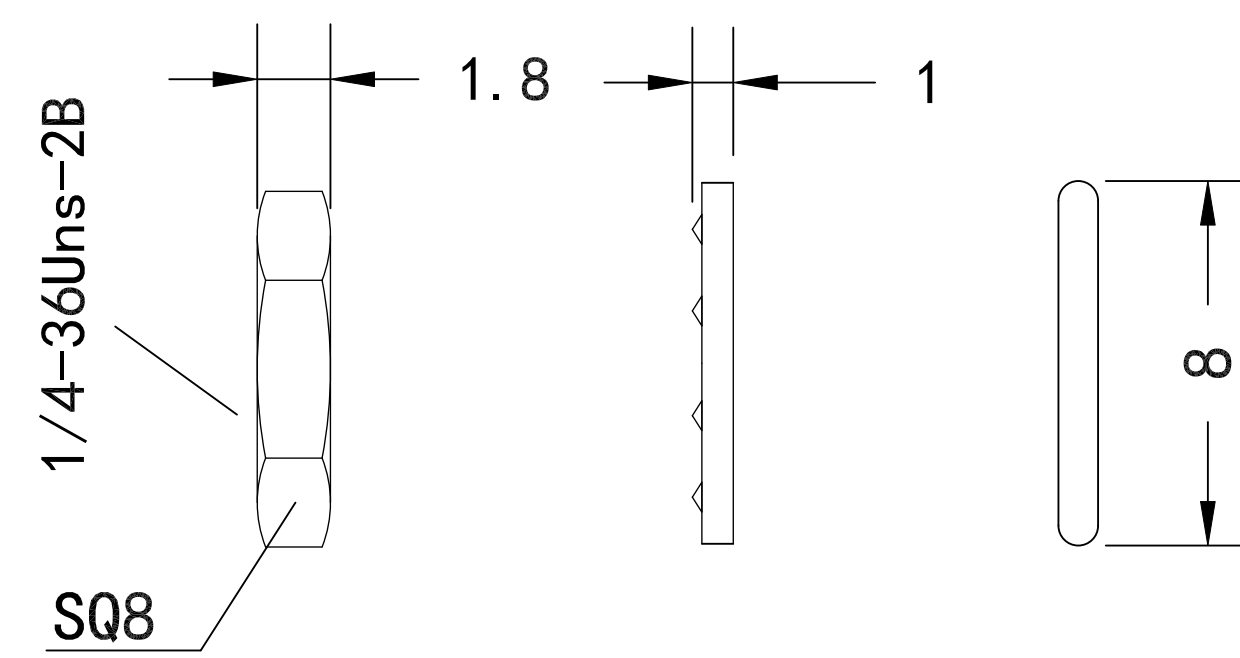
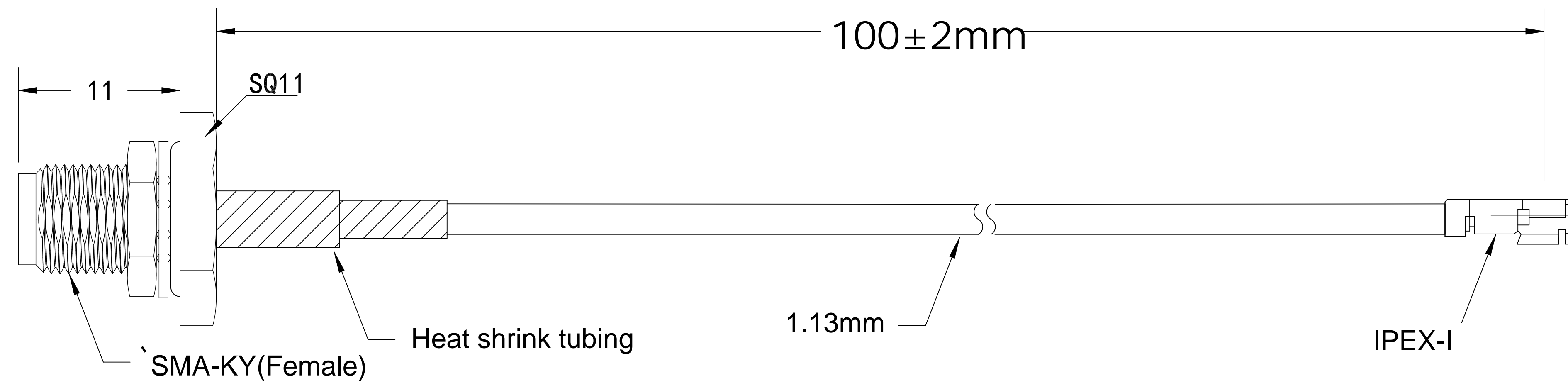


RoHS

5	6
复核	日期
	2022.09.13
	签名



Connector 1: SMA-KY(F)
 Connector 2: IPEX-I
 Inner Conductor: Copper gold plated
 Insulation: PTFE
 Shell Material: Copper gold plated
 Salt spray: 48H
 Impedance: 50ohm
 Frequency: 0~6Ghz
 Cable Type: RG1.13mm black
 Insulation: Copper silver plated
 Shielding: Copper silver-plated braid
 Outer Jacket: FEP

Unmarked tolerance Tolerance standard $\leq 10 \pm 0.1$ $< 10 \sim \leq 20 \pm 0.2$ $< 20 \sim \leq 50 \pm 0.5$ Angle $\pm 3^\circ$	深圳市思大电子有限公司 Shenzhen STA Electronic Co.,Ltd		
	中文名		品名 Name
	审核 Audit		作图 Draw
	单位 Unit MM		比例尺 Plotting scale 1 OF 1
THIRD ANGLE		货号 P/N	图纸编号 Drawing NO
		STA01-0721-002	3.02.0008-003