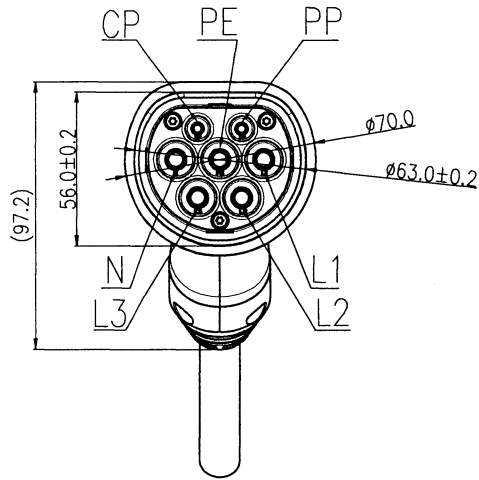
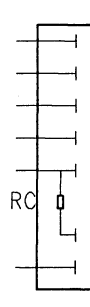


| 未注公差/General tolerances(mm) |       |       |       |       |       |       |       |       |       |       |       | 0.1/10<br>±2' |       |
|-----------------------------|-------|-------|-------|-------|-------|-------|-------|-------|-------|-------|-------|---------------|-------|
| 0                           | >3    | >6    | >10   | >18   | >30   | >50   | >80   | >120  | >180  | >250  | >315  |               | >400  |
| ~ 3                         | ~ 6   | ~ 10  | ~ 18  | ~ 30  | ~ 50  | ~ 80  | ~ 120 | ~ 180 | ~ 250 | ~ 315 | ~ 400 | ~ 500         | ~ 500 |
| ±0.12                       | ±0.18 | ±0.22 | ±0.26 | ±0.31 | ±0.37 | ±0.57 | ±0.80 | ±0.93 | ±1.05 | ±1.15 | ±1.60 | ±2.20         | ±2.50 |

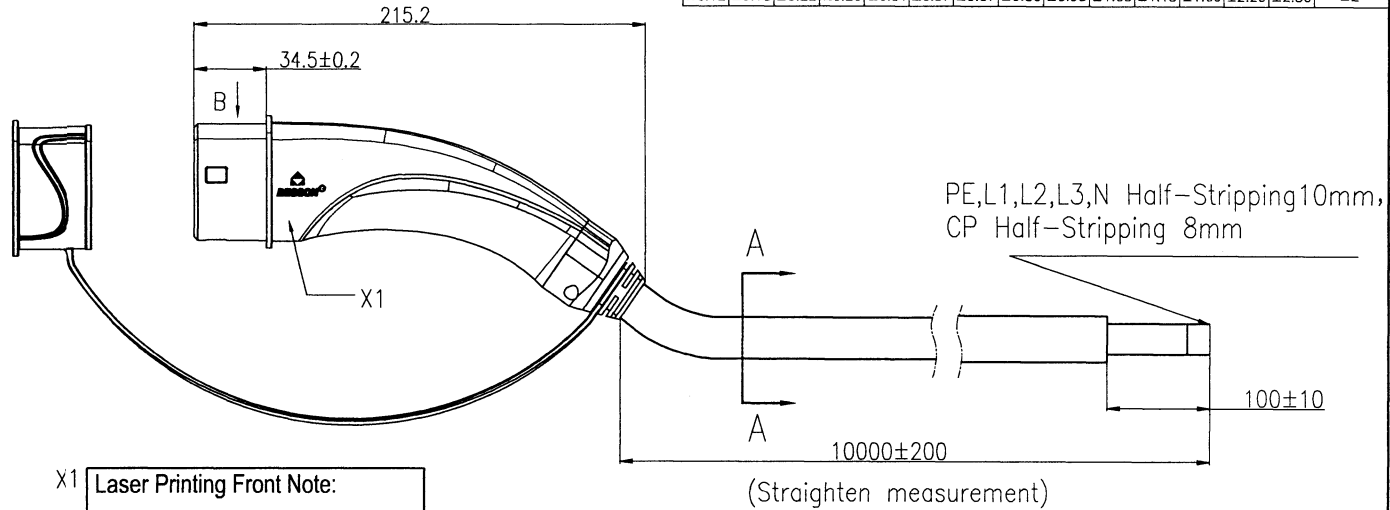


Wiring diagram

- L1 4mm<sup>2</sup> Brown
- L2 4mm<sup>2</sup> Black
- L3 4mm<sup>2</sup> Gray
- N 4mm<sup>2</sup> Blue
- PE 4mm<sup>2</sup> Yellow/Green
- PP
- CP 0.5mm<sup>2</sup> Red

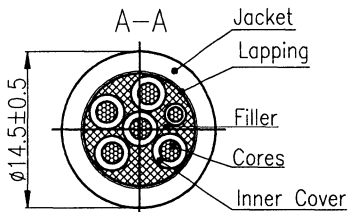
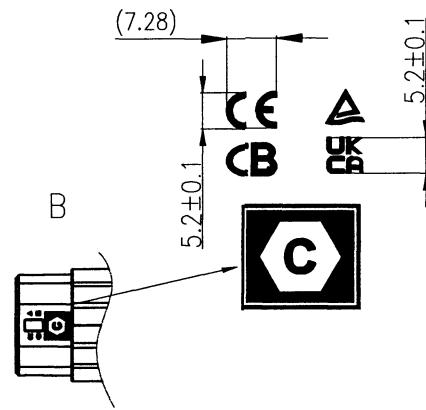


RC=680Ω±3%



X1 Laser Printing Front Note:

Laser Printing Back Note(Arial):  
 MEAC-T-032A-V21-03-10.0M-10AH  
 32A 480V AC  
 IEC 62196-2:2022  
 IP67(Housing)IP55(Mated)



|                                  |  |
|----------------------------------|--|
| 额定电压电流/Rated voltage/Current     | 480V AC/32A  |
| 绝缘电阻/Insulation resistance       | >100MΩ,500V DC 1min                                  |
| 耐压/Withstanding voltage          | L, N and PE ,2500V AC 1min<br>L and N ,2500V AC 1min |
| 防护等级/Ingress protection          | IP67(Housing)IP55(Mated)                             |
| 插拔寿命/Insertion/Pullout times     | 10,000 Times   |
| 插拔力/Insertion/Pullout force      | <100N  |
| 使用温度范围/Operating temperature(°C) | -30~+50  |
| 线材规格/Cable specification         | 5*4mm <sup>2</sup> +1*0.5mm <sup>2</sup> Black       |
| 标准/Reference standard            | IEC 62196-2:2022                                     |
| 符合RoHS环保要求/Conform to RoHS       | Yes  |

|                   |                  |                                      |                |                |
|-------------------|------------------|--------------------------------------|----------------|----------------|
|                   |                  | MATERIAL:                            | SURFACE/COLOR: |                |
| MAT NO./REV: DO-1 |                  | MAT STATUS:                          |                |                |
| APPD: JIAK        | CHKD: Rong BX    | NAME MEAC-T-032A-V21-03-10.0M-10A(H) |                |                |
| DRFT: HU MY       | DATE: 2025.06.27 | DRAWING NO.                          | TYPE           | DRAWING STATUS |
| A4                |                  | CUSTOMER DRAWING                     |                | SCALE          |
|                   |                  |                                      |                | 1:3            |
|                   |                  |                                      |                | SHEET          |
|                   |                  |                                      |                | 1/1            |

Transfer or duplication of this document as well as the utilization or communication of its contents are prohibited unless explicit authorization is granted. Violations will be liable for compensation. All rights reserved for patent, utility model or designs registrations. 未经授权，复制或传播本文件中的内容，或将本文件用于任何目的，均属侵权行为，公司将依法追究其法律责任。 未经授权，复制或传播本文件中的内容，或将本文件用于任何目的，均属侵权行为，公司将依法追究其法律责任。