

1

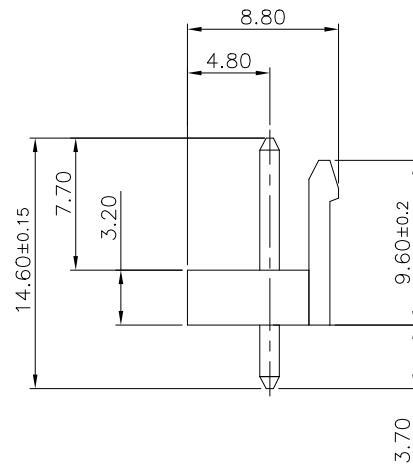
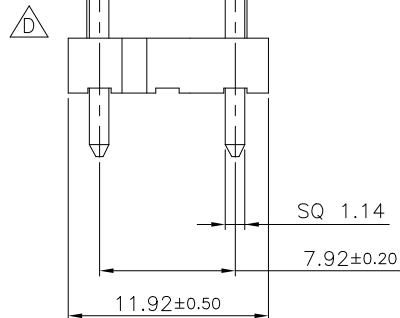
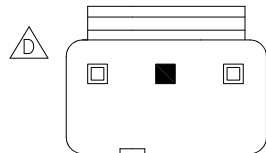
2

3

4

5

■ Empty No. Of 2 Pin



Specifications:

Current Rating: 7.0A AC,DC  
 Voltage Rating: 250V AC,DC  
 Contact Resistance: 10mohm Max  
 Insulation Resistance: 1000Mohm Min.  
 Withstanding Voltage: 1500V AC/minute  
 Operating Temperature Range : -25°C~+105°C

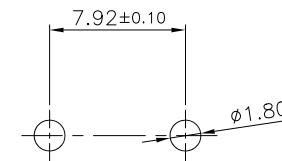
Material and Finish:

Insulator: Nylon 66 (UL94V-0)  
 Insulator Color: White  
 Contact: Brass  
 Plating: Tin Plated

How To Order

2114S-03-E2

└─ Empty No. Of 2 Pin  
 └─ No. Of Contacts  
 └─ S: Straight Type



P.C.B Layout

RoHS Compliant

				DRAWN: Allen	GENERAL TOLERANCE: .X=±0.20 .XX=±0.15	<b>Neltron Industrial Co., Ltd.</b>	
D	14-AUG-2024	Modify Insulator Appearance	Anna Lin	CHECKED: Jerry Chen	UNIT: MM		DESCRIPTION: 3.96mm Wire to Board Wafer Straight Type
C	24-AUG-2022	Add Packing List	Lucy	APPROVAL: Mike Wu	SCALE:	PART NO: 2114S-03-E2	D
B	06-JUL-2022		Selin		SHEET: 1/2		
A	09-OCT-2009	(P0257)	Allen	PROJECTION:			
REV	DATE	FILE	BY				