

1

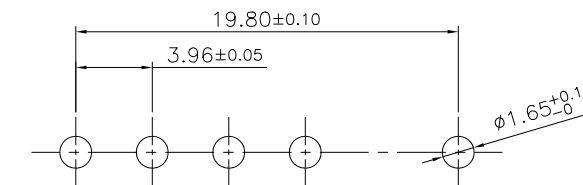
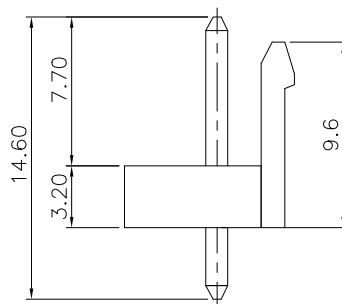
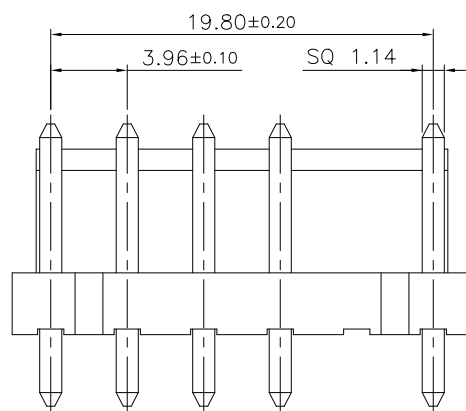
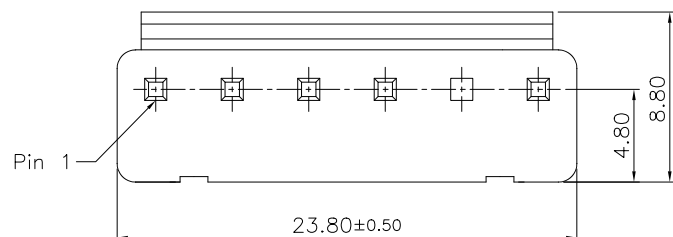
2

3

4

5

□ Empty No. Of 5 Pin



P.C.B. Layout


Specifications:
 Current Rating: 7.0A AC,DC
 Voltage Rating: 250V AC,DC
 Contact Resistance: 10mohm Max
 Insulation Resistance: 1000Mohm Min.
 Withstanding Voltage: 1500V AC/minute
 Operating Temperature Range: -40°C~+85°C

Material:
 Insulator: Thermoplastic (UL94V-0)
 Contact: Copper Alloy
 Plating: Bright Tin Plated

How to Order
 2114S-06-E5

Empty No. Of 5 Pin
 No. Of Contacts
 Straight Type

RoHS Compliant

F				DRAWN:	GENERAL TOLERANCE:	 Neltron Industrial Co., Ltd.	DESCRIPTION:	SIZE
E				Lucy Du	.X=±0.20 .XX=±0.15			
D				CHECKED:	UNIT: MM	2114S-06-E5	3.96mm Wire to Board Wafer Straight Type	A4
C				Jerry Chen	SCALE: 1:1			
B				APPROVAL:	SHEET: 1/1	PART NO:		
A	16-MAR-2026	(P0257)	Lucy Du	Rory Chen	PROJECTION:			
REV	DATE	FILE	BY					