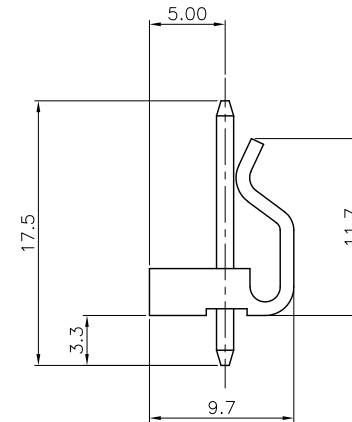
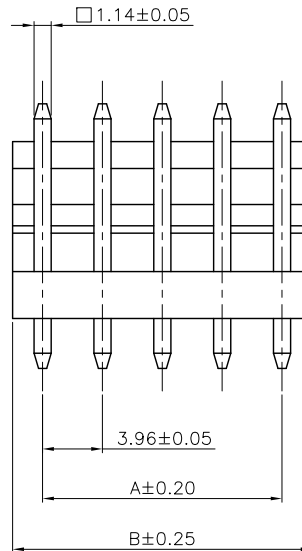
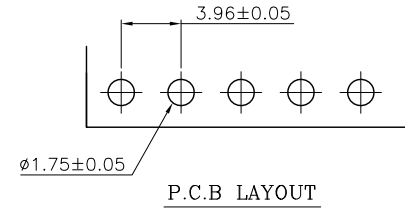
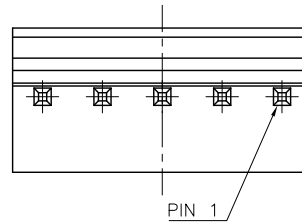
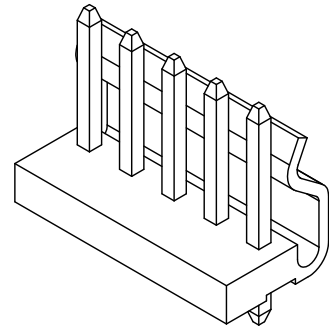


REVISIONS					
ECN NO.	REV.	DESCRIPTIONS	CHECKED	APPROVED	DATE
	01	NEW	Vicky	Vicky	2026/05/26

NOTE:

- PART NUMBER  
 $\frac{W}{1} \frac{39}{2} \frac{F}{3} \frac{V}{4} \frac{XX}{5} - \frac{XX}{6} \frac{X}{7} \frac{X}{8} \frac{XX}{9} \frac{X}{10}$
  - Product Type: W=Wire to Board
  - Pitch: 39=3.96mm
  - Feature : F=Female
  - Feature : V=Vertical DIP
  - Serial Number
  - Pin Number
  - Color  
 N=Natural B=Black R=Red C=Gray  
 Y=Yellow G=Green L=Blue A=Brown
  - Material  
 2=NY66 3=NY PA9T 5=PBT
  - Plating  
 T0=Tin Plating M0=Matte Plating  
 TB=Stamping Before Tin Plating  
 MB=Stamping Before Matte Tin Plating  
 GF=Gold Flash 1 $\mu$ " Max  
 HF=Tin plating overall.  
 Gold flash (1 $\mu$ " Max) on specified area.
  - Packing  
 A=Reel B=Bag R=Reel with CAP  
 E=Redial Taping
- ※ Pin loading configuration may vary by part number



Dimensional & Ordering Information :

Circuits	Part No.	Dimensions		Pcs/Bag
		A	B	
2	W39FVXX-02XXXXX	3.96	7.92	1000
3	W39FVXX-03XXXXX	7.92	11.88	1000
4	W39FVXX-04XXXXX	11.88	15.84	1000
5	W39FVXX-05XXXXX	15.84	19.80	1000
6	W39FVXX-06XXXXX	19.80	23.76	1000
7	W39FVXX-07XXXXX	23.76	27.72	500
8	W39FVXX-08XXXXX	27.72	31.68	500
9	W39FVXX-09XXXXX	31.68	35.64	500
10	W39FVXX-10XXXXX	35.64	39.60	300
11	W39FVXX-11XXXXX	39.60	43.56	300
12	W39FVXX-12XXXXX	43.56	47.52	200
13	W39FVXX-13XXXXX	47.52	51.48	200
14	W39FVXX-14XXXXX	51.48	55.44	200
15	W39FVXX-15XXXXX	55.44	59.40	200

Proposal Drawing

GENERAL TOLERANCES (UNLESS SPECIFIED)				DRAWING/DATE	
. X ± 0.25 . XX ± 0.15 . XXX ± 0.08 ANGLES ± 1°				Ittipon 2026 / 05 / 26	
UNITS		CHECK/DATE		SIZE	PIN.
mm		Vicky 2026 / 05 / 26		A4	W39FVXX-XXXXXXX
SCALE	SHEET NO.	APPROVAL/DATE		REV.	DWG NO.
2 : 1	1 OF 1	Vicky 2026 / 05 / 26		01	20260526-21